

## Strobe-Horn Alarm Module

### Specifications

Power	24Vdc, ~5W
Max Cable Distance	1000 ft
Temperature Range	-20 - 60°C ( 0 - 140°F )
Protocols	GrowNET™ or MODBUS RTU



## Contents

<b>Features</b>	<b>2</b>
<b>CO2 Alarm System</b>	<b>2</b>
<b>Warnings &amp; Notices</b>	<b>3</b>
<b>Installation Instructions</b>	<b>4</b>
Purge Switch Connection	5
Horn Tone Switches	5
<b>Connection to GrowControl™ GCX</b>	<b>6</b>
<b>Connection to MODBUS RTU</b>	<b>6</b>
GrowNET™ Hubs	6
<b>Maintenance &amp; Service</b>	<b>7</b>
Cleaning	7
<b>Storage and Disposal</b>	<b>7</b>
<b>Warranty</b>	<b>7</b>

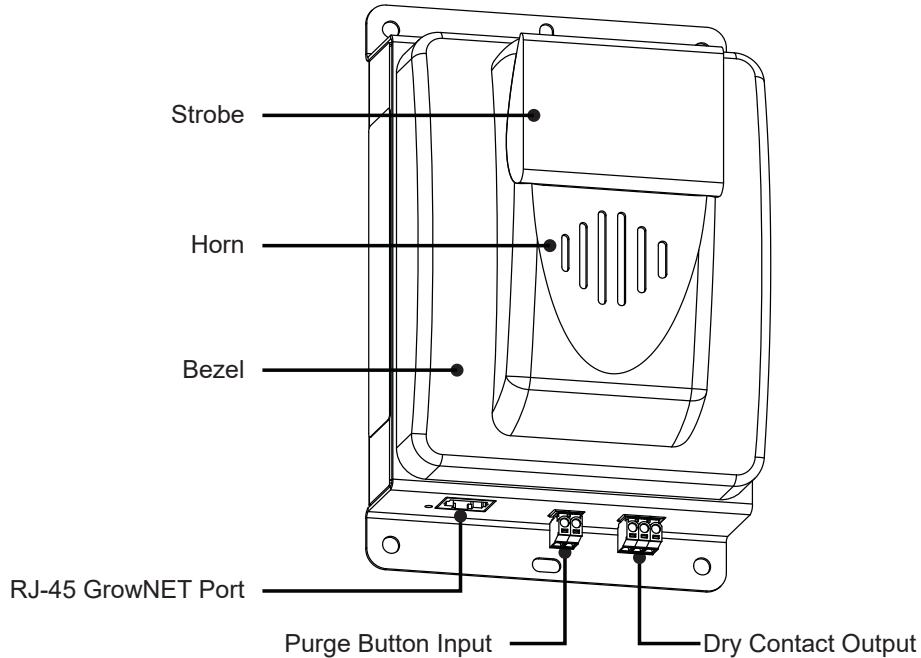
**KEEP THESE INSTRUCTIONS**

REV 11/24

This product is intended for commercial use only.

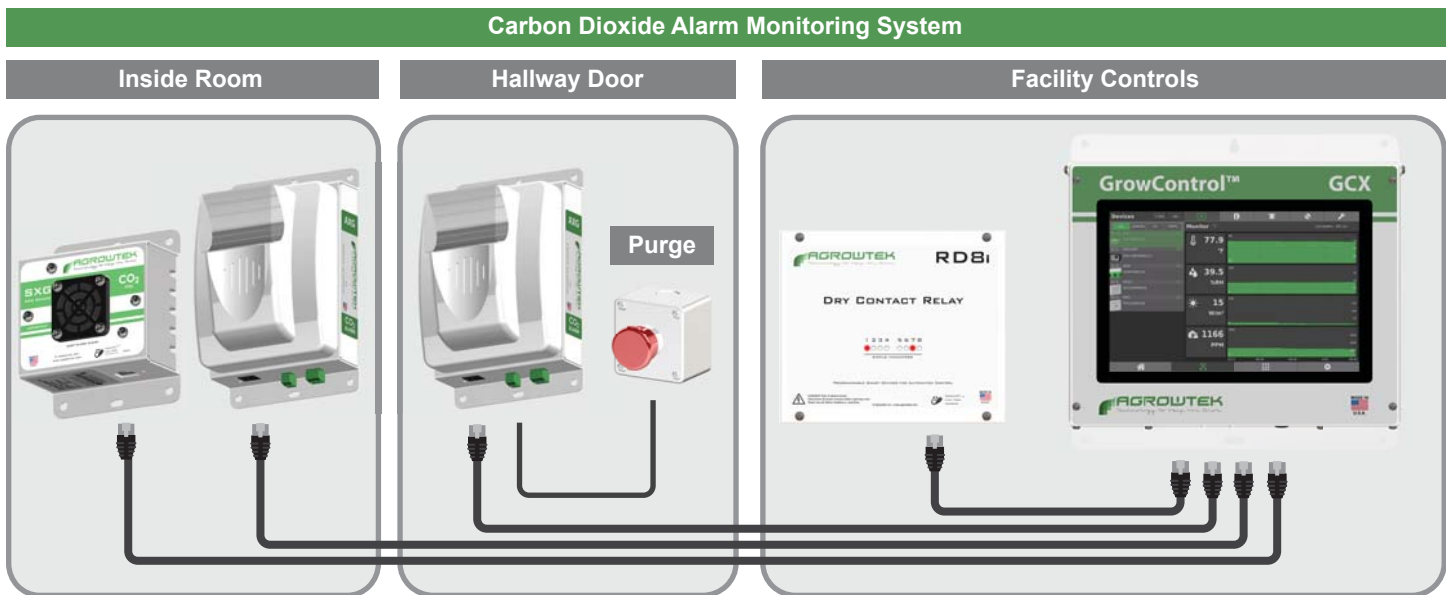
# Features

AXG horn-strobe alarm modules are designed for wall mounting inside and outside of growing spaces to notify of high CO<sub>2</sub> gas concentrations (or other alarm conditions depending on the model.) AXG alarm modules feature a bright strobe and loud horn with multiple tone options. A switch input can be used to activate a purge function in the GCX control system to evacuate a room before entering. A dry contact output can be used to connect additional horn-strobe alarms.



# CO<sub>2</sub> Alarm System

A complete, integrated CO<sub>2</sub> alarm and control system can be operated by GrowControl GCX control systems using SXG gas sensors, AXG alarm modules and standard relay modules. Integrated control functions in the GCX control system make it easy to configure the alarm control by select the different components on the system to integrate.



# Warnings & Notices

---

This is a precision electronic instrument which requires proper installation and care to maintain reliability.

## **READ & UNDERSTAND ENTIRE MANUAL PRIOR TO INSTALLATION OR OPERATION.**

Failure to read, understand and comply with warnings and installation requirements may result in property damage, personal injury or death.

## **THIS PRODUCT IS NOT INTENDED FOR LIFE SAFETY APPLICATIONS.**

Do not install in hazardous locations or rely solely on this equipment for control over life safety.

## **NOTICE**

GrowNET™ ports use standard RJ-45 connections but are NOT compatible with the Ethernet network equipment. *Do not connect GrowNET™ ports to Ethernet ports or network switch gear.*

## **DIELECTRIC GREASE**

Dielectric grease is recommended on RJ-45 GrowNET™ connections when used in humid environments. Place a small amount of grease onto the RJ-45 plug contacts before inserting into the GrowNET™ port. *Non-conductive grease is designed to prevent corrosion from moisture in electrical connectors.*

- Loctite LB 8423
- Dupont Molykote 4/5
- CRC 05105 Di-Electric Grease
- Super Lube 91016 Silicone Dielectric Grease
- Other Silicone or Lithium based insulating grease

## **INDOOR LOCATIONS ONLY**

This product is designed for indoor mounting only and must be protected from weather and direct sunlight.

## **WARNING**

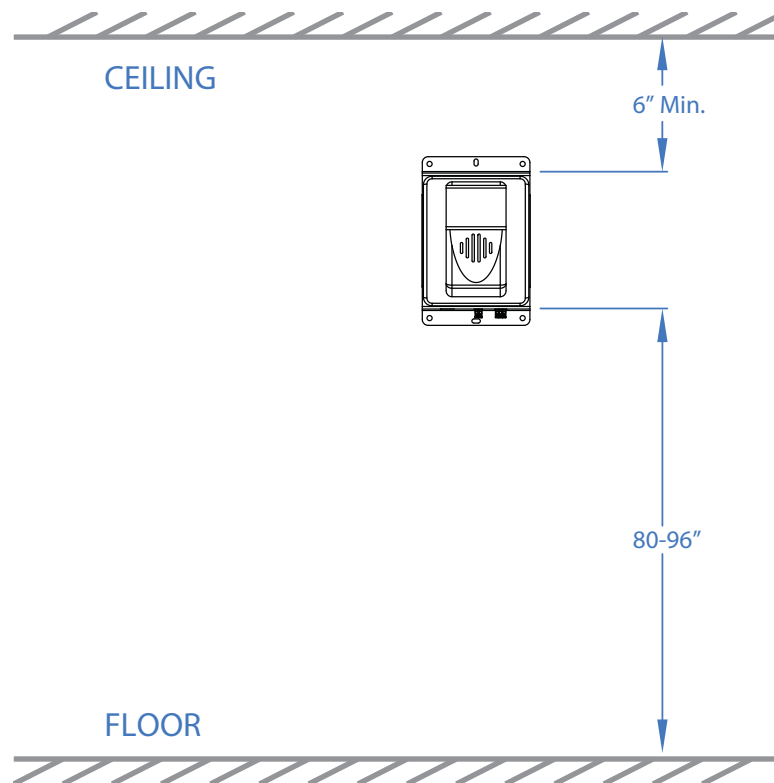
This product may contain chemicals known to the State of California to cause cancer and birth defects or other reproductive harm.

# Installation Instructions

AXG sensors are designed for indoor wall mounting near ceiling level for notification of carbon dioxide concentration limits. Consult your local authority for the quantity and location requirements for sensors and alarm modules. Typical requirements are outlined below.

## Installation Location Requirements:

- Compliant with NFPA70; 80-96" from floor, 6" from ceiling
- Locate the sensor on the wall furthest from the entry way.
- Locate the sensor near the center of the wall.
- Avoid areas with condensation or water spray.
- Always mount the RJ-45 connection on the bottom to avoid water ingress through the connection.



## Installation Notes

### NOTICE

GrowNET™ ports use standard RJ-45 connections but are NOT compatible the Ethernet network equipment. *Do not connect GrowNET™ ports to Ethernet ports or network switch gear.*

### DIELECTRIC GREASE

Dielectric grease is recommended on RJ-45 GrowNET™ connections when used in humid environments. Place a small amount of grease onto the RJ-45 plug contacts before inserting into the GrowNET™ port. *Non-conductive grease is designed to prevent corrosion from moisture in electrical connectors.*

- Loctite LB 8423
- Dupont Molykote 4/5
- CRC 05105 Di-Electric Grease
- Super Lube 91016 Silicone Dielectric Grease
- Other Silicone or Lithium based insulating grease

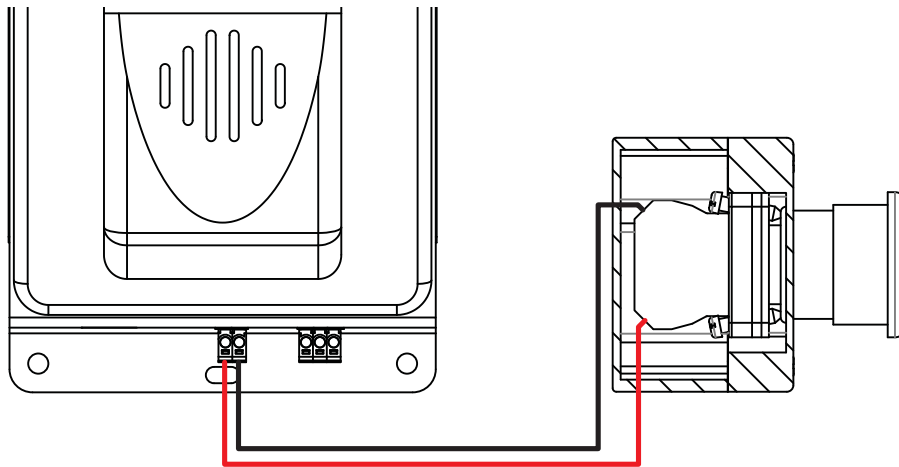
## Purge Switch Connection

A push button switch is available from Agrowtek Inc. or users can provide their own to connect to the AGX alarm module switch input terminals. The push button contact must be “normally closed” when in the unpressed position. When activated, the input will activate specific operations in the GCX control system to purge the environment of excess carbon dioxide levels.

The switch terminals provide +5Vdc and a sinking input to detect the switch condition.

### ⚠ NOTICE

A jumper is required to bypass the purge switch if it is not installed, or the input detection can be inverted/disabled by momentarily pressing the reset button with a pin.



## Horn Tone Switches

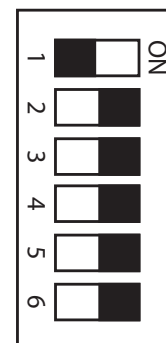
Multiple horn tone options and intensity levels are available by configuring the DIP switches beneath the cover bezel. Remove the cover bezel by prying outward from the center of the bezel at the bottom.

### ⚠ IMPORTANT

Switches 1 & 2 must always be set at factory position: 1 = OFF, 2 = ON.

Modifying switch positions 1 or 2 can prevent the unit from operating correctly.

HORN TONE	SWITCH POSITION		
	3	4	5
Mechanical Temporal 3	ON	ON	ON
Mechanical - Continuous	OFF	ON	ON
2400Hz - Temporal 3	ON	OFF	ON
2400Hz - Continuous	OFF	OFF	ON
Chime - Temporal 3	ON	ON	OFF
Chime - Continuous	OFF	ON	OFF
Whoop	ON	OFF	OFF
Whoop	OFF	OFF	OFF



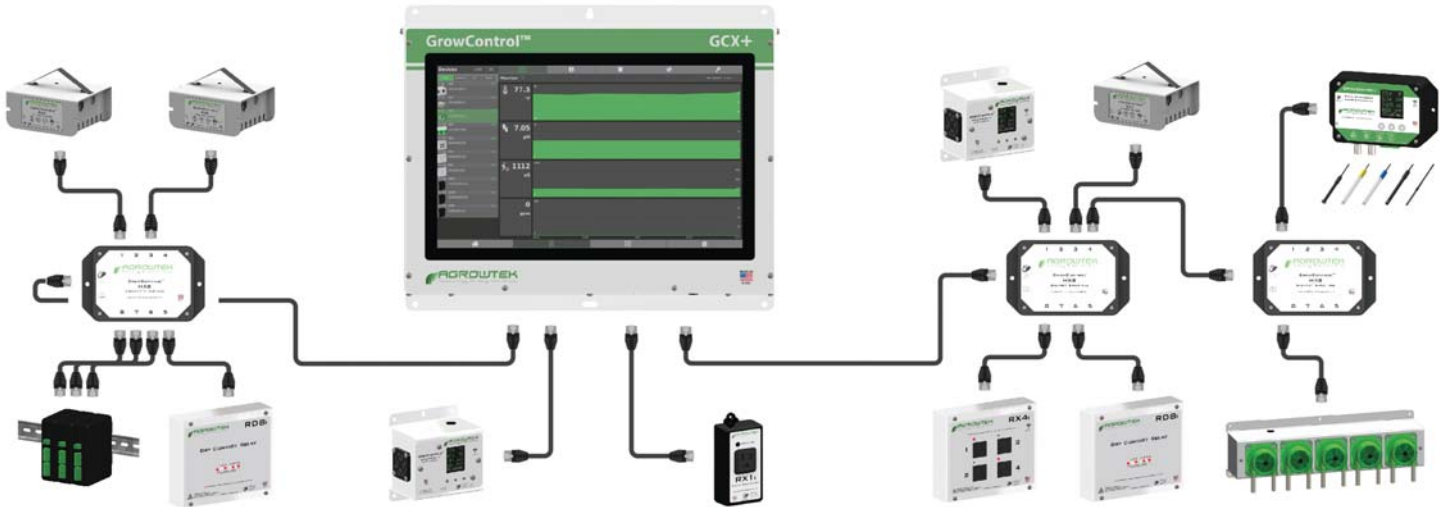
Switch position 6 sets the horn output: ON = High DBA, OFF = Low DBA

Factory switch positions shown in the graphic above. The dark area represents the switch knob.

# Connection to GrowControl™ GCX

All GrowNET™ devices are connected using standard CAT5 Ethernet cable with RJ-45 connections.

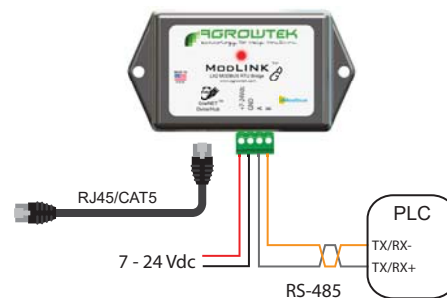
Devices can be connected directly to the GrowNET™ ports on the bottom of the controller, or through HX8 GrowNET™ hubs. It is typical to simplify cabling by locating hubs centrally in hall ways and rooms allowing single runs from an 8-port device hub back to a central hub or back to the controller.



Refer to the GCX controller manual for details on adding the device to the system.

# Connection to MODBUS RTU

Use the LX2 ModLINK to connect RS-485 MODBUS devices to the GrowNET™ port.



See MODBUS manual for more information.

 [MODBUS Manual](#)

3.3/5Vdc Serial Bus Compatible.  
Include required bus terminating resistors per EIA standard.

# GrowNET™ Hubs

HX8 GrowNET™ hubs expand a single port into eight more ports. Hubs can be daisy-chained to form a network of up to 100 devices per GrowNET™ bus. Individually buffered port transceivers provide excellent signal integrity and extended communication strength and range.

Hubs provide up to 1A of power for operating sensors and most relays directly over the CAT5 cable. A DC jack on the hub provides 24Vdc power to the ports from the included wall power supply. A terminal block power option is also available.



# Maintenance & Service

---

Sensors require periodic maintenance to ensure proper performance.

## Cleaning

---

Exterior and label surfaces may be wiped with a damp cloth with mild dish detergent, then wiped dry. Avoid spraying the sensor with chemicals or water spray.

## Storage and Disposal

---

### Storage

Store equipment in a clean, dry environment with ambient temperature between 10-50°C.

### Disposal

This industrial control equipment may contain traces of lead or other metals and environmental contaminants and must not be discarded as unsorted municipal waste, but must be collected separately for the purpose of treatment, recovery and environmentally sound disposal. Wash hands after handling internal components or PCB's.

## Warranty

Agrowtek Inc. warrants that all manufactured products are, to the best of its knowledge, free of defective material and workmanship and warrants this product for one (1) year from the date of purchase. This warranty is extended to the original purchaser from the date of receipt. This warranty does not cover damages from abuse, accidental breakage, or units that have been modified, altered, or installed in a manner other than that which is specified in the installation instructions. This warranty is applicable only to products that have been properly stored, installed, and maintained per the installation and operation manual and used for their intended purpose. This limited warranty does not cover products installed in or operated under unusual conditions or environments including, but not limited to, excessive humidity or extreme temperature conditions outside of the specified limits. Agrowtek Inc. must be contacted prior to return shipment for a return authorization. No returns will be accepted without a return authorization. Returns not purchased directly from Agrowtek Inc. must include proof of purchase date otherwise purchase date is considered date of manufacture. The products which have been claimed and comply with the aforementioned restrictions shall be replaced or repaired at the sole discretion of the Agrowtek Inc. at no charge. This warranty is provided in lieu of all other warranty provisions, express or implied. It is including but not limited to any implied warranty of fitness or merchantability for a particular purpose and is limited to the Warranty Period. In no event or circumstance shall Agrowtek Inc. be liable to any third party or the claimant for damages in excess of the price paid for the product, or for any loss of use, inconvenience, commercial loss, loss of time, lost profits or savings or any other incidental, consequential or special damages arising out of the use of, or inability to use, the product. This disclaimer is made to the fullest extent allowed by law or regulation and is specifically made to specify that the liability of Agrowtek Inc. under this limited warranty, or any claimed extension thereof, shall be to replace or repair the Product or refund the price paid for the Product.