

LXD Digital Lighting Link modules connect Agrowtek GrowControl™ GCX Cultivation Control Systems to lighting fixtures from various manufacturers that are controlled with digital communication protocols. Provides full intensity and spectrum control on compatible fixtures for one lighting zone.

LXD modules connect Agrowtek systems to a single zone of fixtures. Multiple LXD modules can be connected depending on the number of lighting zones to be controlled.

RJ-12 connection is provided for Thinkgrow, Dutch Lighting Innovations (DLI) and other pin-compatible fixtures. A terminal block connection is also provided for various other manufacturers.

Connects instantly to Agrowtek's control systems via a GrowNET™ port for advanced automated control functions. GrowNET™ port accepts MODBUS RTU communication for PLC control with the LX2 ModLINK.



Features



For Fixtures with Digital Control
Command directly from GCX systems.



Full Feature Control
Intensity & Color Spectrum



Temperature Dimming
With environment sensor



Sunlight Control
With environment or weather sensor



GrowNET™ Digital Communication Port



MODBUS RTU
for industrial PLC applications



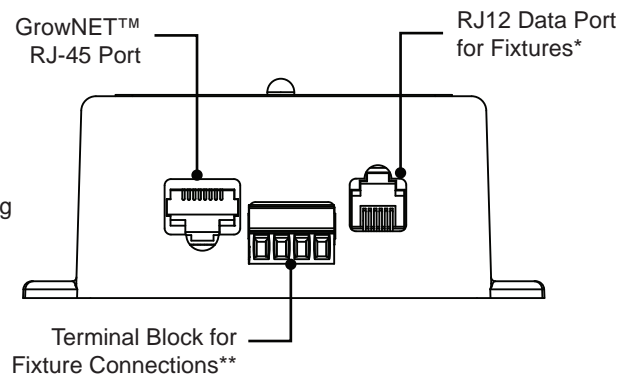
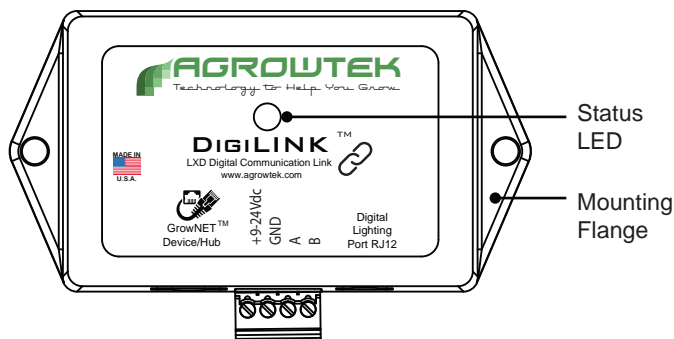
Tough ABS plastic enclosure



Made in USA



1-Year Warranty



*RJ-12 connection compatible with Thinkgrow, DLI and other pin-compatible fixtures.

**Other fixtures may be connected by the terminal block connections. Refer to manual for details.

Compatible Manufacturers

TG ThinkGrow

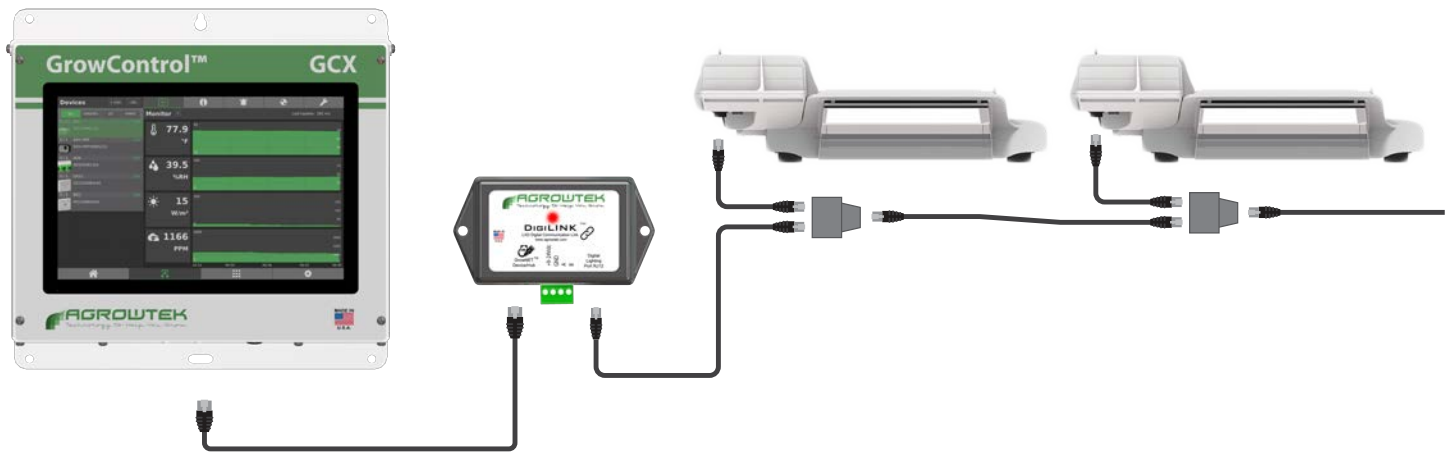
SCY Scynce

PH Phantom PX Digital

DLI Dutch Light Innovations

FOH Fohse

Fixture Connection Example



LXD modules connect to GrowControl™ GCX Cultivation Controllers using standard RJ-45/Cat5 cabling. Power is provided to the module from the RJ-45 connection. Light fixtures are connected using either the RJ-12 connection (if pin compatible) or by wiring directly to the terminal blocks on the module. One (1) LXD module is required per lighting zone.

Ordering Options

LXD
(No options)

Optional Accessories



HX8
GrowNET™
Device Hub



LX2
RS-485
ModLINK™