

## Chemical Dip Tube

Chemical dip tubes for reliable pick-up of liquid chemical solutions from stock tanks for AgrowDose™ nutrient doser pumps. Solve the problem of floating lines in your stock tanks which can pull in air and cause incorrect dosing delivery.

Rigid, non-corrosive clear PVC dip tube is available in various lengths to reach down to the bottom of chemical stock tanks.

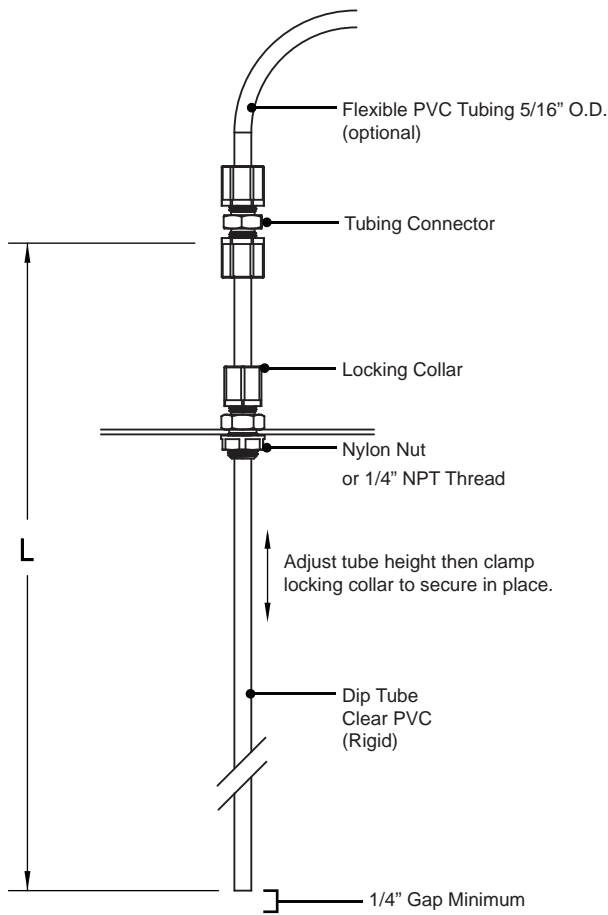
An adjustable mount can be threaded into the stock tank top or lid, or use the included nut with a standard hole. Slide the dip tube to the desired depth and then lock in place by tightening the mount collar.

A coupling for connecting to standard 5/16" O.D. PVC chemical tubing is mounted on the end of the dip tube. Materials are compatible with standard nutrients and pH buffer chemicals.

Made in U.S.A.



### Specifications



### Ordering Options

CDT - 1  
 1: L = 1 ft  
 3: L = 3 ft  
 6: L = 6 ft

Flexible PVC Tubing and container not included.  
 Dip tube may be shortened by cutting and deburring the end.